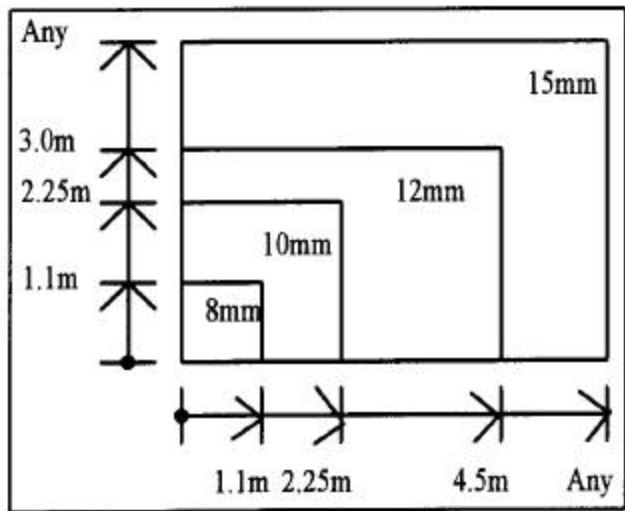


**Diagram 2 Annealed glass thickness/dimension limits**



**Diagram 3 Dimensions and areas of**

